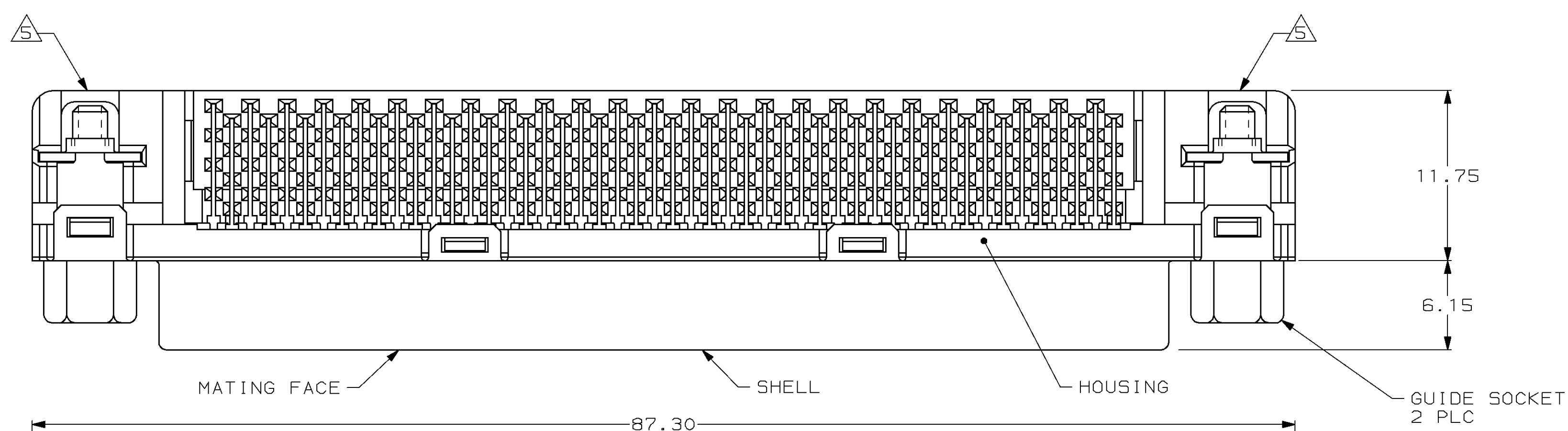
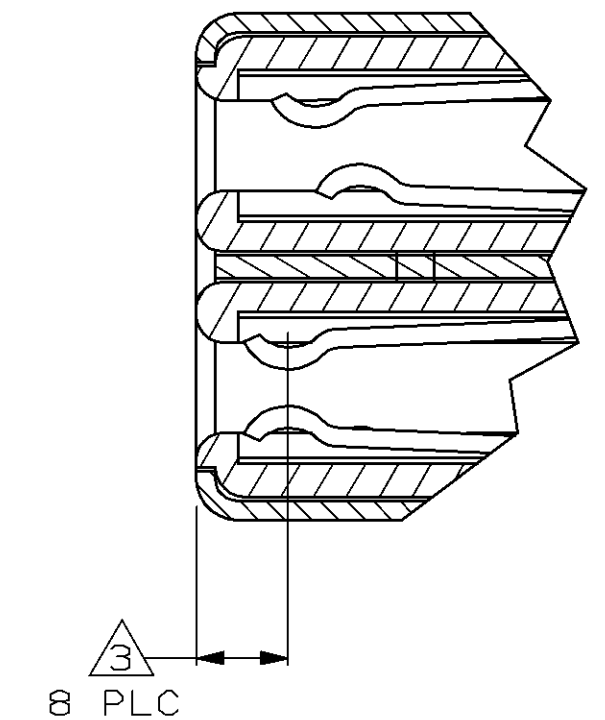
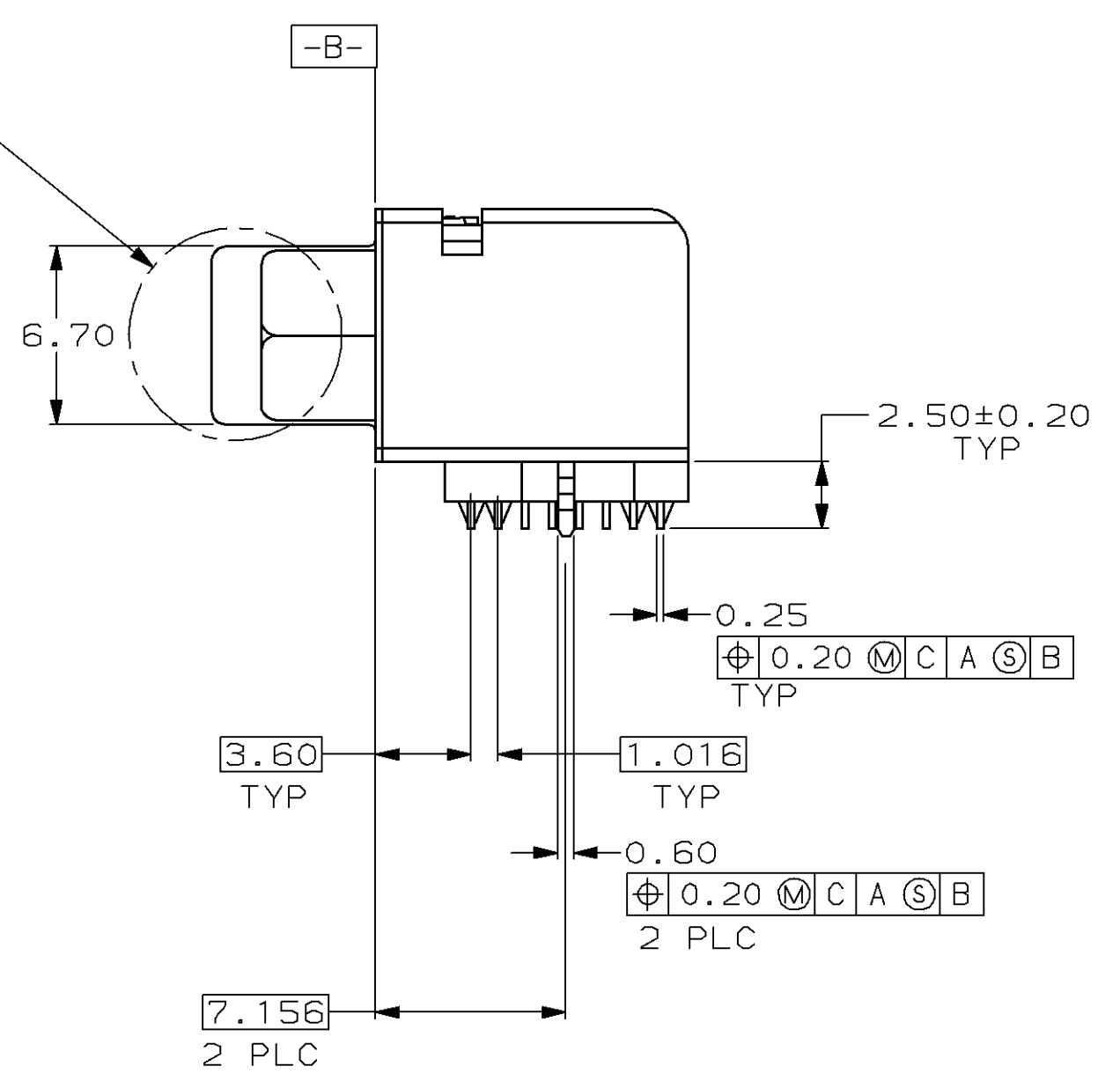
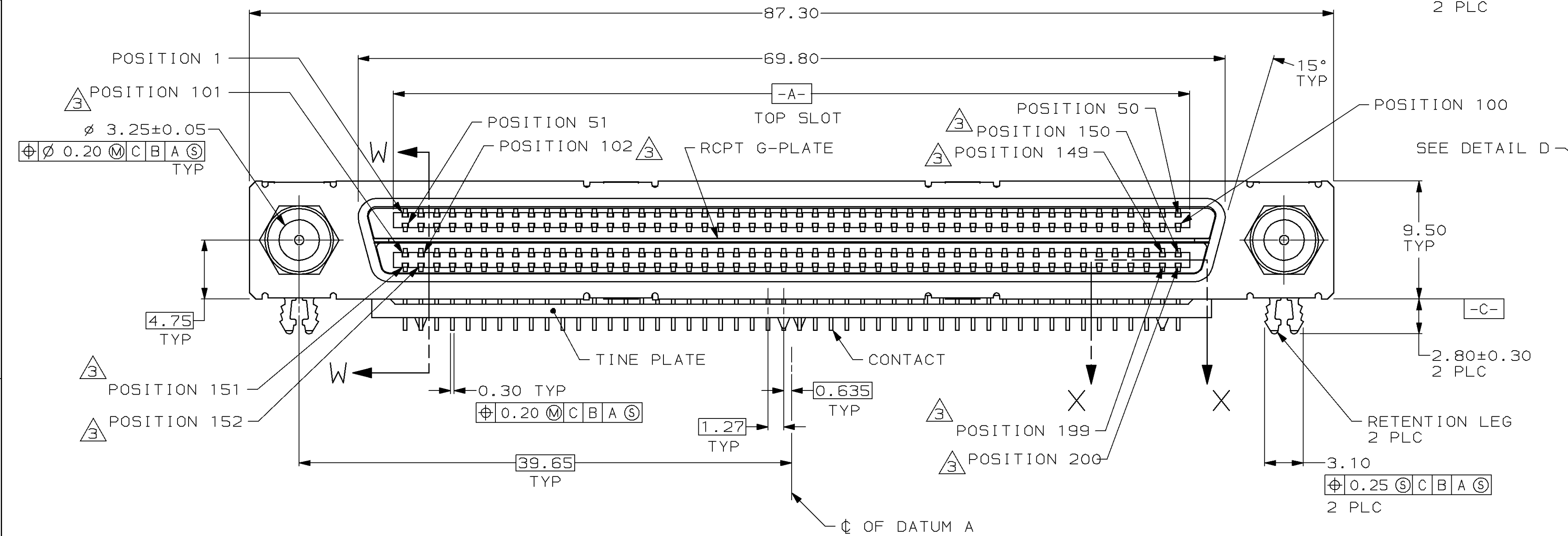


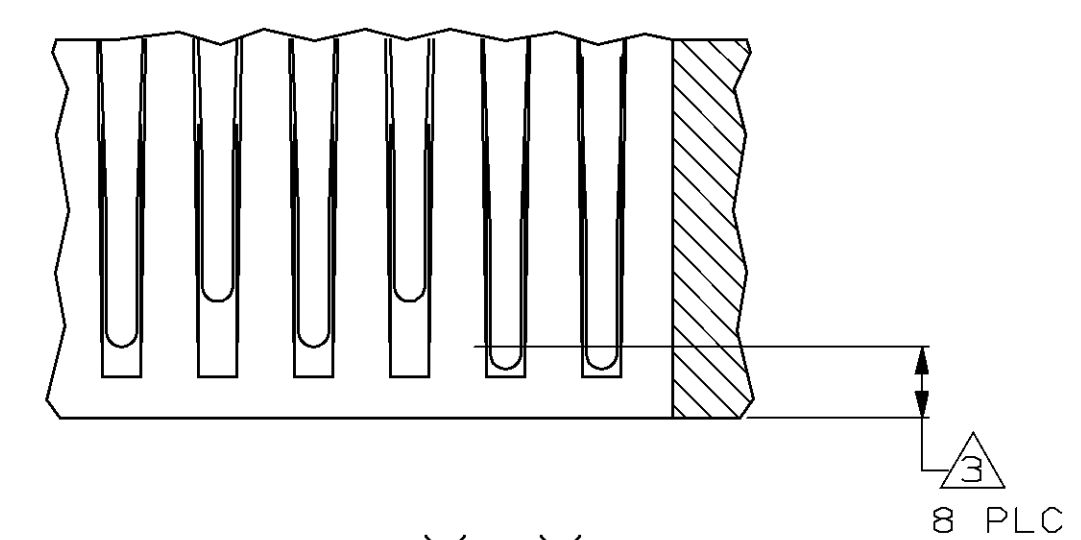
REVISONS		DATE	OWN	APVD
0	RELEASED PER NPR 5575 WAS 96-1997-9-2	09 OCT 96	-	-
A	REV PER EC 0410-186-97	13 MAY 97	CD	JM



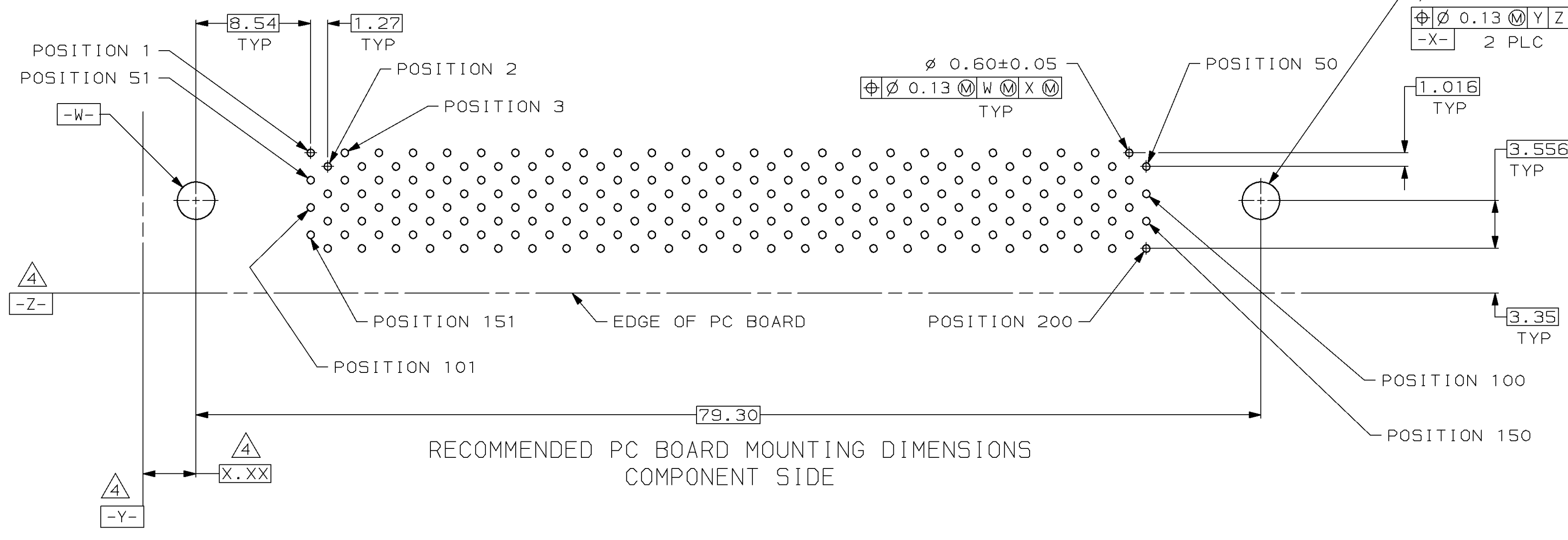
- ① HOUSING AND TINE PLATE: POLYESTER, NATURAL.
CONTACTS: PHOSPHOR BRONZE.
SHELL: CARBON STEEL.
RCPT G-PLATE: STAINLESS STEEL.
GUIDE SOCKET AND RETENTION LEG: BRASS.
- ② SHELL: 3.00µm MIN NICKEL OVER 1.30µm MIN COPPER.
RETENTION LEG: 2.00µm MIN TIN-LEAD OVER 1.00µm MIN NICKEL.
GUIDE SOCKET: NICKEL OVER COPPER.
CONTACTS: 0.76µm MIN GOLD FOR A LENGTH OF 1.10 MIN FROM MATING END,
2.54 MIN TIN-LEAD FOR A LENGTH OF 2.80 MIN FROM OPPOSITE END,
BOTH OVER 1.27µm MIN NICKEL.
- ③ CONTACTS 101, 102, 149, 150, 151, 152, 199, AND 200 ARE SEQUENCED TOWARD MATING FACE AS SHOWN, ALL OTHERS ARE SEQUENCED IN A STAGGERED PATTERN.
- ④ DATUMS AND BASIC DIMENSIONS ESTABLISHED BY CUSTOMER.
- ⑤ DATE CODE MAY BE MARKED ON EITHER END.



DETAIL D
SCALE 10:1



SECTION X-X
SCALE 10:1



RECOMMENDED PC BOARD MOUNTING DIMENSIONS
COMPONENT SIDE

787882-1
PART NUMBER

THIS DRAWING IS A CONTROLLED DOCUMENT.		OWN C. DORWART	09 OCT 96	AMP AMP Incorporated Harrisburg, PA 17105-3508
DIMENSIONS: mm		CHK J. MOSIER	14 OCT 96	
TOLERANCES UNLESS OTHERWISE SPECIFIED:		APVD J. MOSIER	14 OCT 96	NAME RECEPTACLE ASSEMBLY, 200 POSITION, RIGHT ANGLE, .050, CHAMP™
0 PLC ±		PRODUCT SPEC		
1 PLC ±		APPLICATION SPEC		SIZE A1
2 PLC ±0.25		WEIGHT		CAGE CODE 00779
3 PLC ±		CUSTOMER DRAWING		DRAWING NO 787882
4 PLC ±				SCALE 4:1
ANGLES ±3°				SHEET 1 of 1
FINISH				REV A